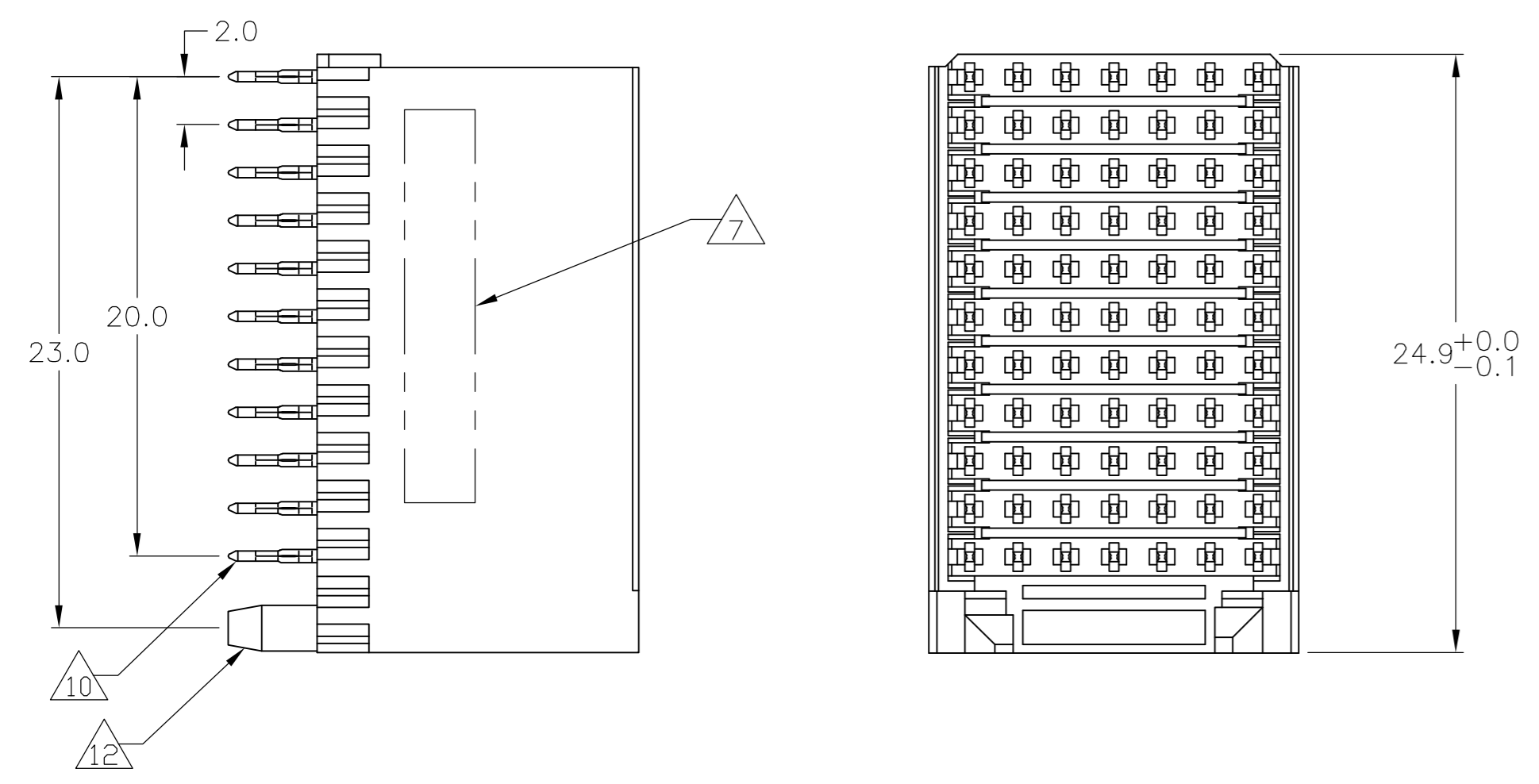
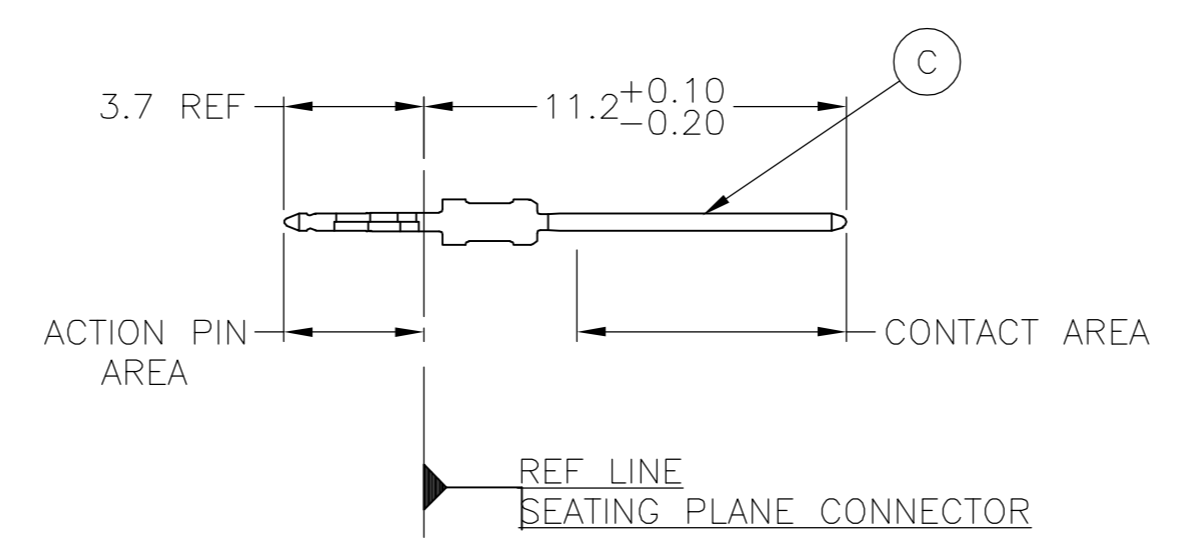
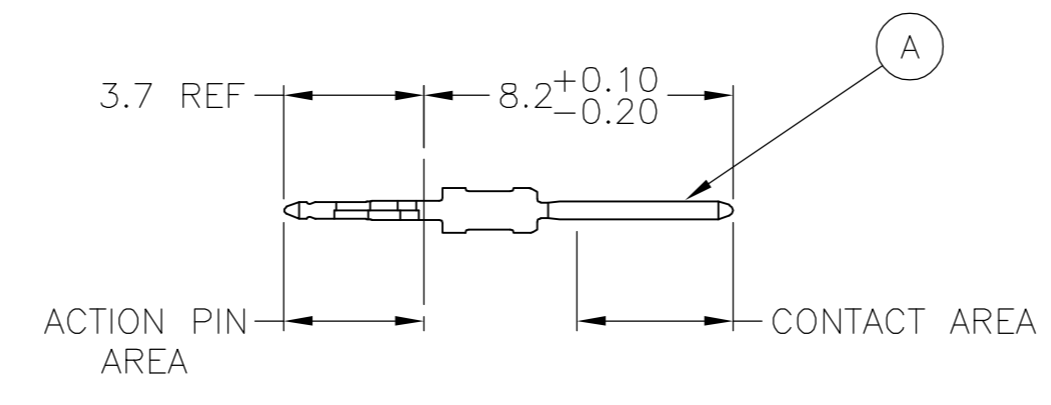


### CONNECTOR ASSEMBLY EXAMPLARY LOADED

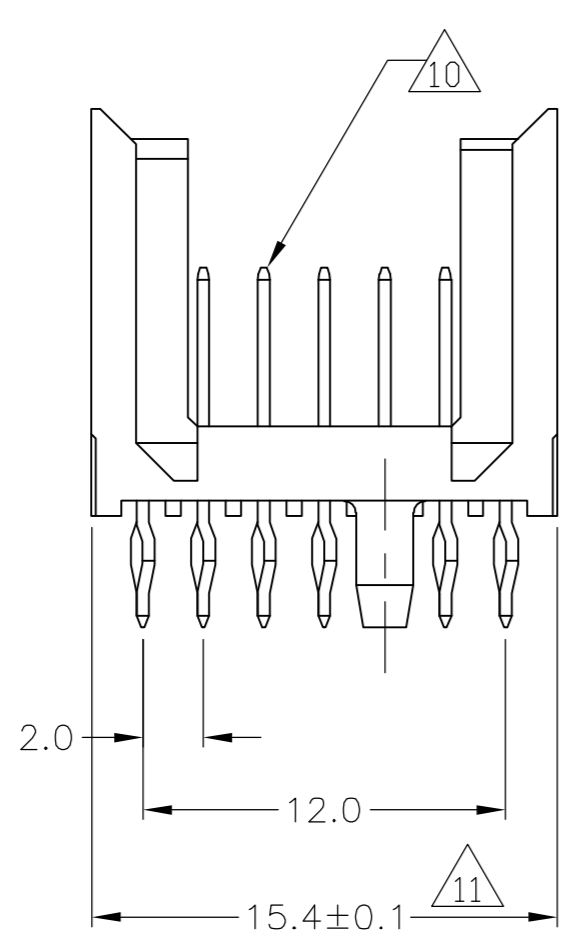
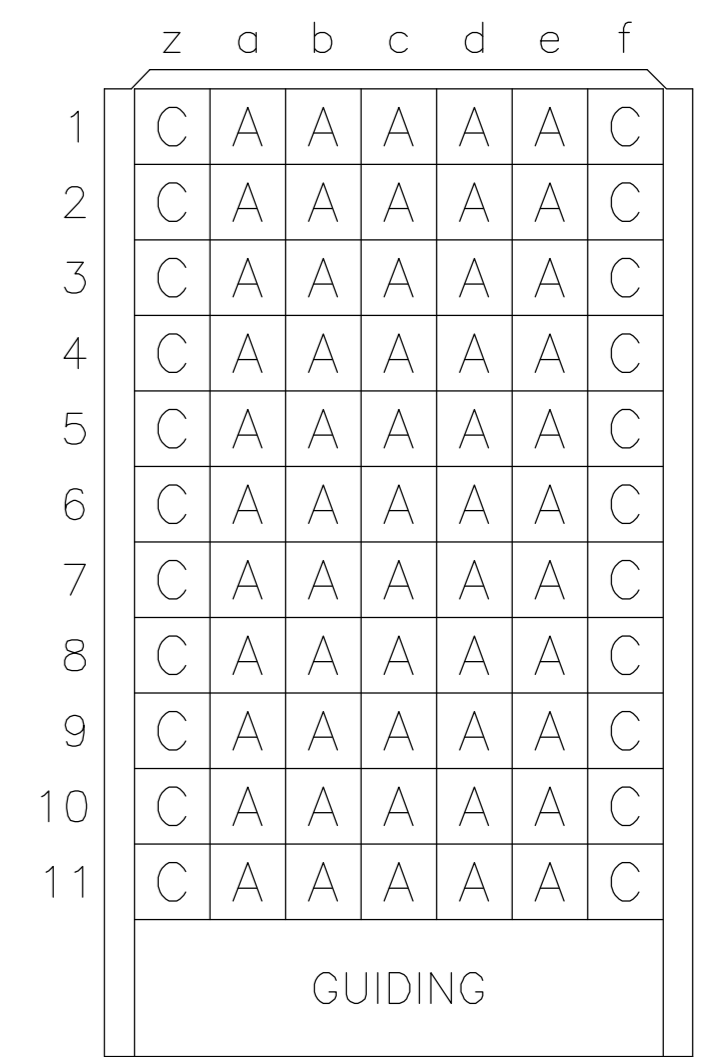


### CONTACT DIMENSIONS

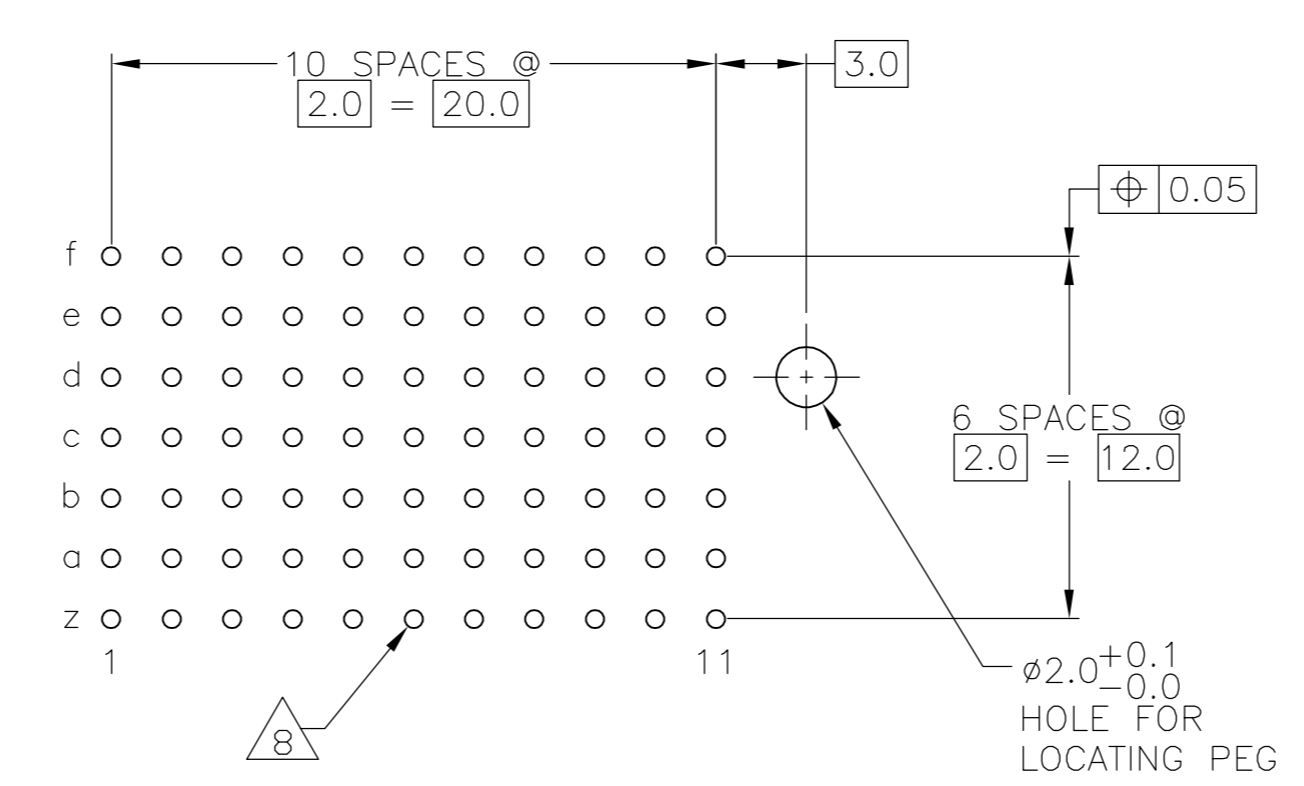
SCALE 5:1



### CONTACT LAYOUT



### RECOMMENDED PCB-HOLE LAYOUT COMPONENT SIDE SHOWN



### PLATED THRU HOLES PARAMETERS REFERENCE APPLICATION SPECIFICATION

2 6 13	1-106081-9
2 5 13	106081-9
2 4 4	106081-4
2 3 3	106081-1
FINISH	PART NUMBER

THIS DRAWING IS A CONTROLLED DOCUMENT.		DWN: B. CARBO 24JAN05	Tyco Electronics Corporation	
DIMENSIONS: mm		DWG: G. SKIPPER 24JAN05	Harrisburg, Pa 17105-3608	
TOLERANCES UNLESS OTHERWISE SPECIFIED:		APVD: G. SKIPPER 24JAN05	NAME: MALE ASSEMBLY, Z-PACK 2mm HM, TYPE C	
0 PL/C ± -	1 PL/C ± 0.2	PRODUCT SPEC: 108-19082	SIZE: CAGE CODE: DRAWING NO: RESTRICTED TO	
2 PL/C ± 0.02	3 PL/C ± 0.005	APPLICATION SPEC: 114-19029	SCALE: 4:1 SHEET 1 OF 2 REV H	
4 PL/C ± -	ANGLES ± 0.30°	WEIGHT: A1 00779	CUSTOMER DRAWING	
MATERIAL: 1 SEE TABLE		FINISH: 106081		

LOC	DIST	REVISIONS			
AD	00	REV	DESCRIPTION	DATE	BY
			SEE SHEET 1		

- 1 MATERIAL:  
CONTACT: PHOSPHOR BRONZE.  
HOUSING: GLASS-FILLED POLYESTER.
- 2 GENERAL PLATING SPECIFICATION: UNDERPLATING  
(ENTIRE CONTACT): 1.27µm MIN NICKEL AND ACTION  
PIN: 0.5µm MIN TIN/LEAD.  
FOR PLATING OF MATING SURFACES SEE APPLICABLE  
SPECIFICATION REFERENCE FOR EACH DASH NUMBER.
- 3 CONFORMS TO ALL TESTING ACCORDING TO IEC 61076-4-101  
PERFORMANCE LEVEL 2.
- 4 CONFORMS TO ALL TESTING ACCORDING TO IEC 61076-4-101  
PERFORMANCE LEVEL 1.
- 5 CONNECTOR TESTED AND QUALIFIED AGAINST TELCORDIA GR-1217-CORE QUALITY LEVEL 3,  
CENTRAL OFFICE APPLICATIONS.
- 6 CONNECTOR TESTED AND QUALIFIED AGAINST TELCORDIA GR-1217-CORE QUALITY LEVEL 3,  
UNCONTROLLED ENVIROMENT APPLICATIONS.
- 7 CONNECTOR MARKED WITH PART NUMBER AND DATE CODE.  
ADDITIONAL CHARACTERS OR MARKINGS, AS WELL AS THE LOCATION OF THE MARKINGS,  
MAY BE ADDED FOR TRACEABILITY BASED UPON MANUFACTURERS DISCRETION.
- 8 PLATED-THROUGH HOLES AT 2x2mm SQUARE GRID  
PATTERN DEFINED BY CONTACT LAYOUT.
- 9 FOR ACTUAL PIN LOADING SEE "CONTACT LAYOUT".
- 10 FOR ACTUAL PIN DIMENSIONS SEE "CONTACT DIMENSIONS".
- 11 TO BE MEASURED AT BOTTOM OF SHROUD.
- 12 LOCATION PEG.
- 13 CONNECTOR LUBRICATED WITH BELCORE APPROVED LUBRICANT,  
TECHNICAL REFERENCE: TR-NWT-001217 ISSUE 1, SEP 1992.

THIS DRAWING IS A CONTROLLED DOCUMENT.		DWG B CARBO	24JAN05	<b>tyco</b> Electronics	Tyco Electronics Corporation Harrisburg, Pa 17105-3608	
		CHK G SKIPPER	24JAN05			
DIMENSIONS: mm		TOLERANCES UNLESS OTHERWISE SPECIFIED:		APVD G SKIPPER	NAME MALE ASSEMBLY, Z-PACK 2mm HM, TYPE C	
		0 PLC ± -	1 PLC ± 0.2	PRODUCT SPEC 108-19082		
		2 PLC ± 0.02	3 PLC ± 0.005	APPLICATION SPEC 114-19029	SIZE A1	CAGE CODE 00779
MATERIAL SEE SHEET 1		FINISH SEE SHEET 1		RESTRICTED TO CUSTOMER DRAWING	DRAWING NO 106081	REV H
				SCALE 4:1	SHEET 2 OF 2	